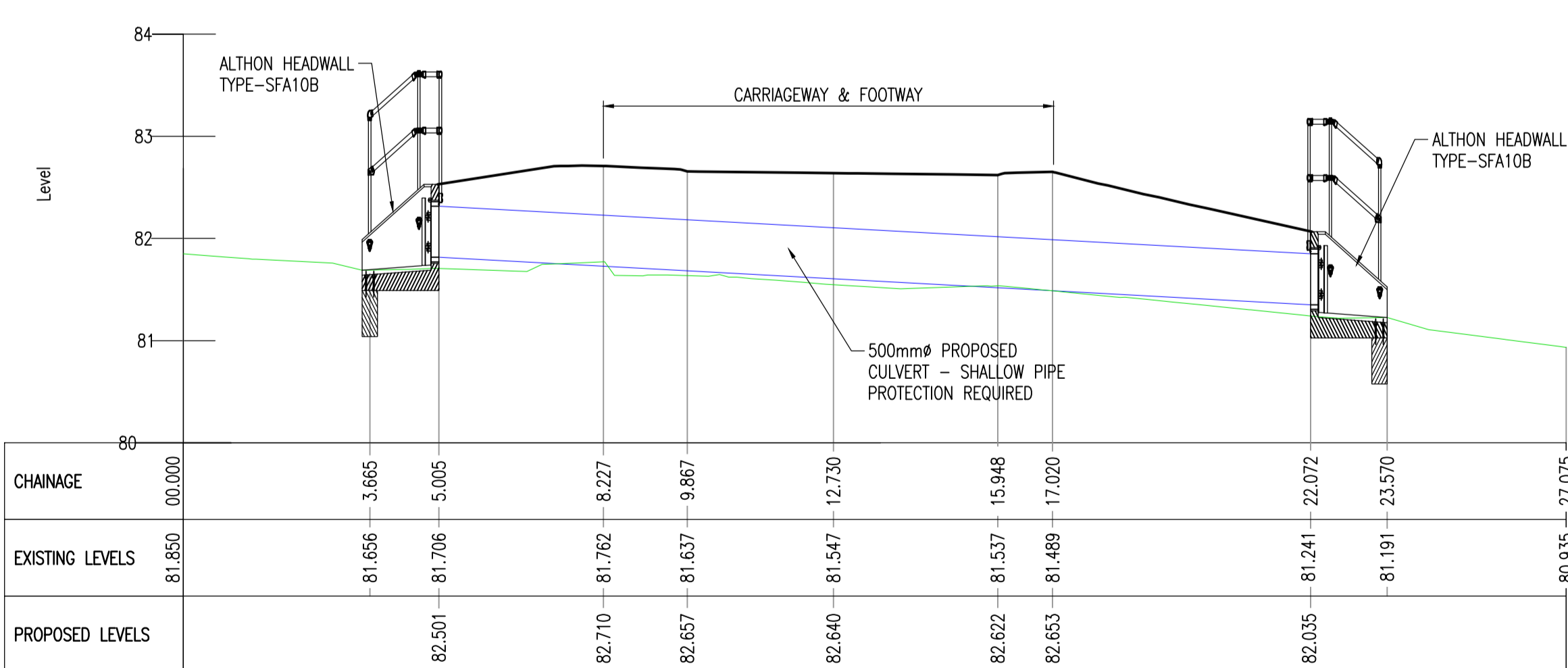


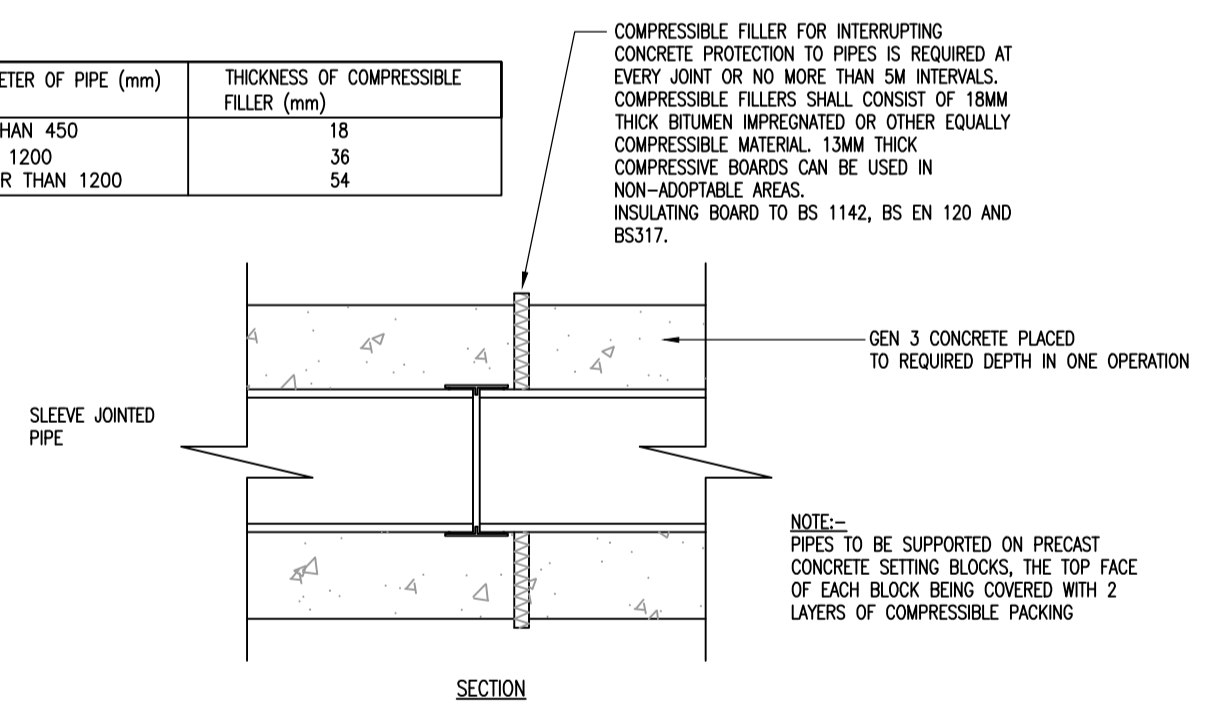
SITE PLAN  
SCALE: 1:100

**GENERAL NOTES**  
 1. DO NOT SCALE THIS DRAWING.  
 2. CONTRACTOR TO CHECK ALL DIMENSIONS AND REPORT ALL ERRORS AND OMISSIONS TO THE ENGINEER.  
 3. ANY DISCREPANCY TO BE REPORTED IMMEDIATELY TO THE ENGINEER.  
 4. THIS DRAWING TO BE READ IN CONJUNCTION WITH ALL RELEVANT ARCHITECTS, SUBCONTRACTORS AND SPECIALISTS DRAWINGS AND SPECIFICATIONS.



PROPOSED CULVERT LONG-SECTION  
SCALE: H 1:100, V 1:50

NOMINAL DIAMETER OF PIPE (mm)	THICKNESS OF COMPRESSIBLE FILLER (mm)
LESS THAN 450	18
450 - 1200	36
GREATER THAN 1200	54



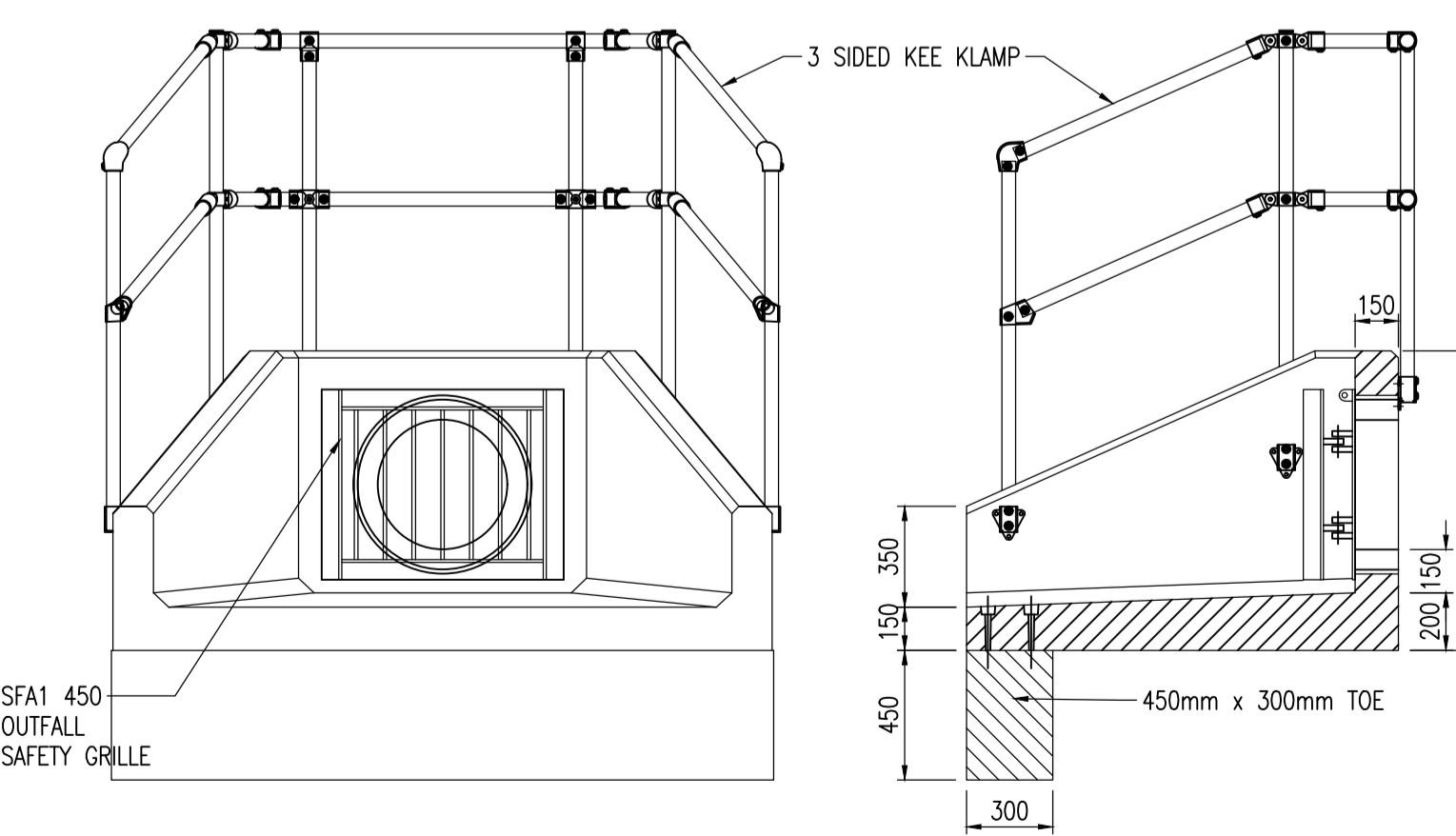
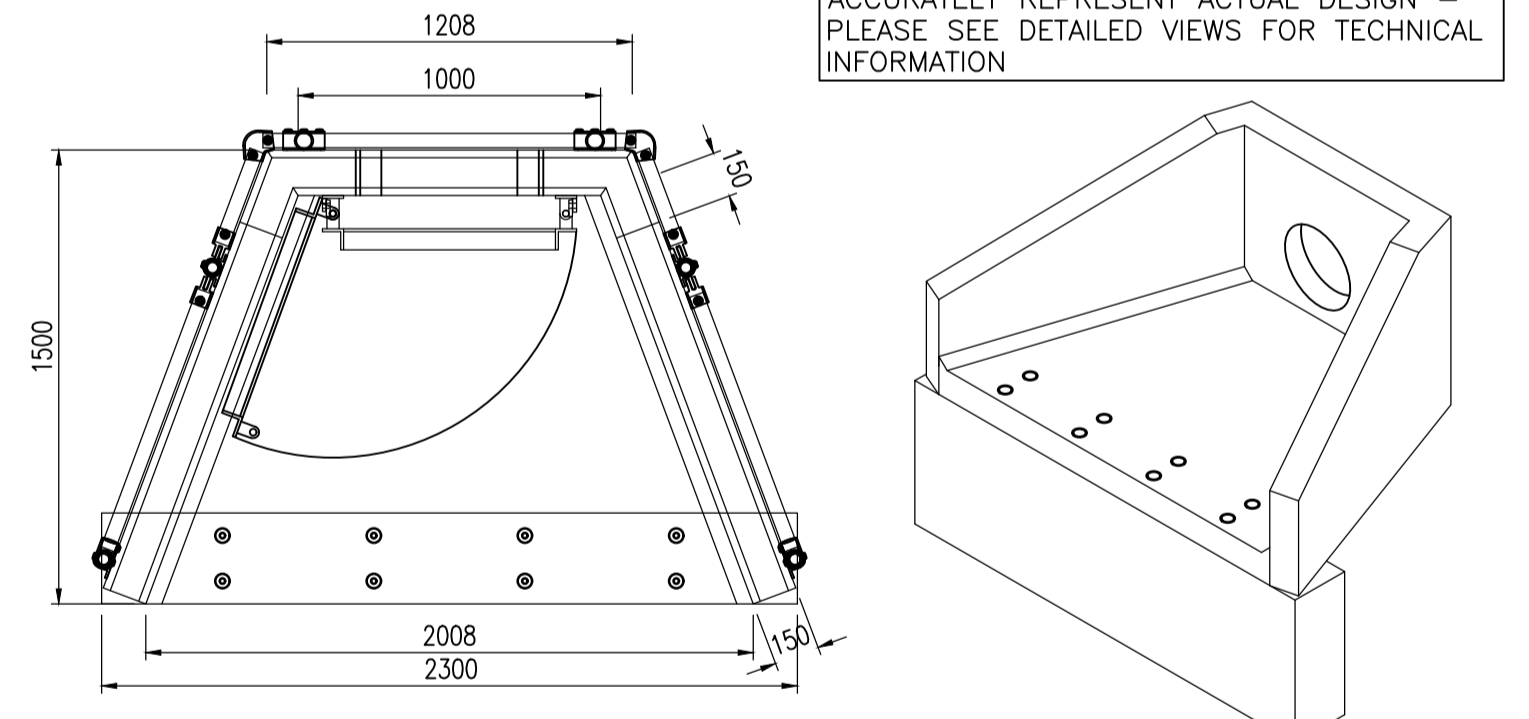
PROTECTION OF A SHALLOW PIPELINE USING CONCRETE SURROUND  
(1:25)

**PLASTIC GRAVITY SEWER PIPE SPECIFICATION**

THERMOPLASTIC PIPE, JOINTS AND FITTINGS FOR GRAVITY SEWERS MUST COMPLY WITH THE RELEVANT PROVISIONS OF BS EN 1401-1, BS EN 1852 AND BS EN 12666-1. BS EN 1295-1 GIVES GUIDANCE ON THE STRUCTURAL DESIGN OF UNDERGROUND NON-PRESSURE PVC-U PIPES. STRUCTURED WALL PIPES AS FOLLOWS:

- OSMA ULTRARIB SYSTEM BY WAVIN PLASTICS LIMITED IN STIFFNESS CLASS SN8 BETWEEN 150mm AND 300mm DIAMETER.
- MARLEY TWINWALL SYSTEM BY MARLEY PLUMBING AND DRAINAGE IN STIFFNESS CLASS SN8 BETWEEN 150mm AND 300mm DIAMETER.
- UPONOR ULTRARIB SYSTEM BY UPONOR LIMITED IN STIFFNESS CLASS SN8 BETWEEN 150mm AND 300mm DIAMETER.
- POLYSEWER TWINWALL SYSTEM BY POLYPIPE BUILDING PRODUCTS LIMITED IN STIFFNESS CLASS SN8 BETWEEN 150mm AND 300mm DIAMETER.
- RIDGISEWER TWINWALL SYSTEM BY POLYPIPE CIVILS LIMITED IN STIFFNESS CLASS SN4 AND 8 BETWEEN 400mm AND 600mm DIAMETER AND IN STIFFNESS CLASS SN4 BETWEEN 750mm AND 900mm DIAMETER. MAXIMUM ALLOWABLE PIPE LENGTH IS 3.0m

NOTE: ISOMETRIC DRAWING IS FOR REFERENCE ONLY, DETAILS MAY NOT ACCURATELY REPRESENT ACTUAL DESIGN - PLEASE SEE DETAILED VIEWS FOR TECHNICAL INFORMATION



SFA10B ALTHON HEADWALL WITH 450 x 300mm Toe, 3 Sided Kee Klamp & SFA1 450 Outfall Safety Grille  
SCALE-1:25

Rev	Detail	By	Date
-----	--------	----	------

Revisions

Reinforcement schedules nos.



Structural & Civil Engineering Consultants  
 First Floor  
 7 St James Crescent  
 Swansea SA14DP  
 Telephone +44 1792 473 182  
 e-mail admin@cb3consult.co.uk  
 web www.cb3consult.co.uk



PHASE TWO OF HOUSING DEVELOPMENT AT THE BARN, DINAS CROSS, PEMBROKESHIRE

PROPOSED CULVERT ARRANGEMENT

**PLANNING**

Project No. C1996	Drawing No. C-SK04
Scales AS SHOWN	Date 12.10.22
Drawn GH	Checked DH
Sheet Size A1	Revision -

© This drawing may not be copied, without prior written permission